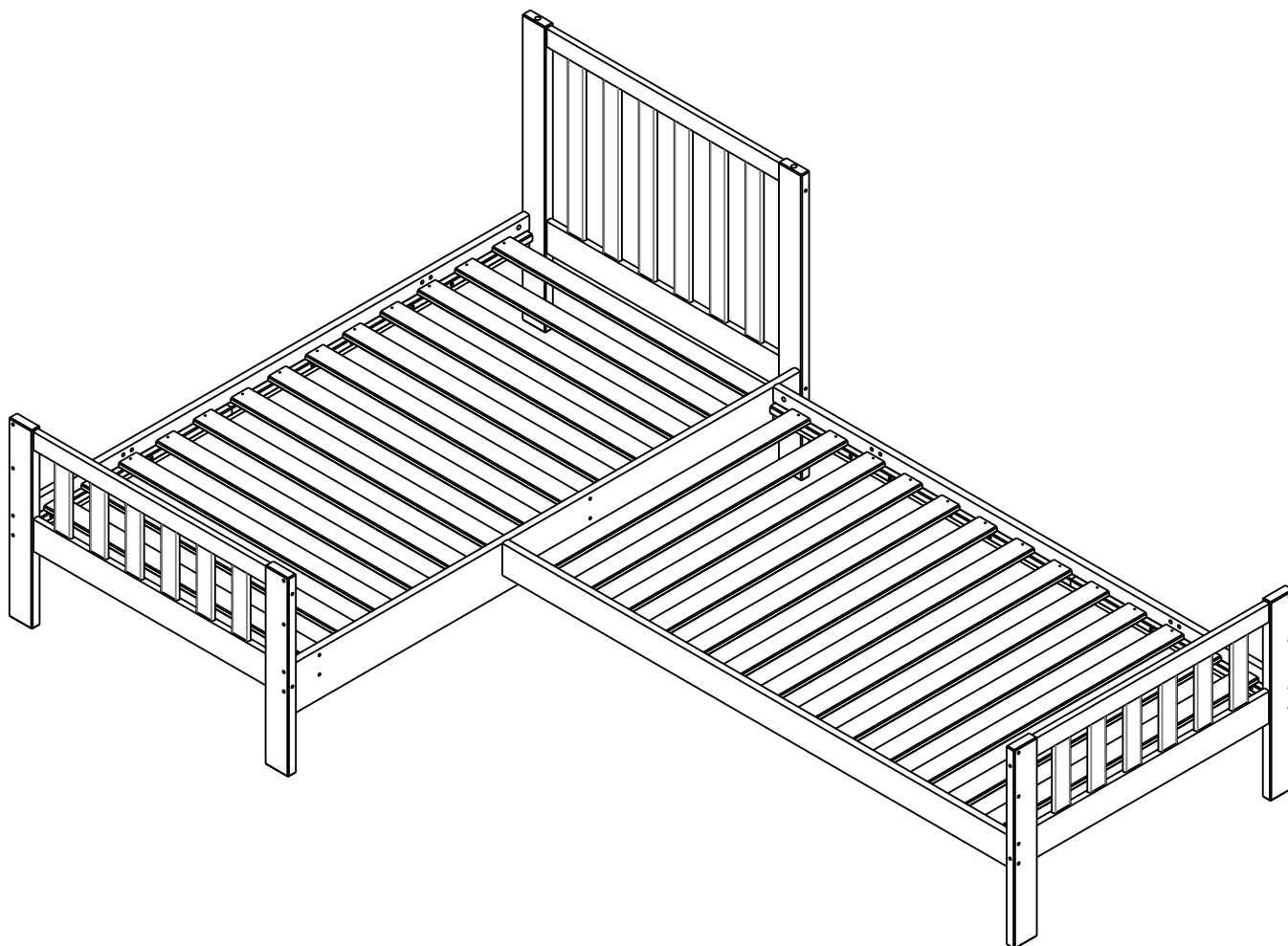


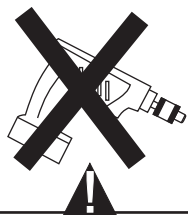
ASSEMBLY INSTRUCTIONS

TWIN/TWIN CORNER CONFIGURATION

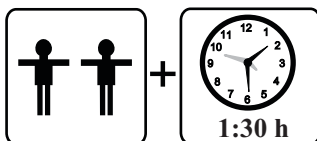


REPLACEMENT PARTS

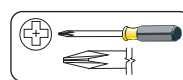
Please do not contact the company purchased from as we can help you faster.
Order replacement parts and hardware at "alaterrefurniture.com"



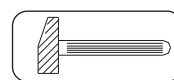
* Use of power tool to assemble this product will invalidate any claim and damage this product making it unsafe!!!
* Please assemble on a clean soft surface to avoid damage.



Tools Required

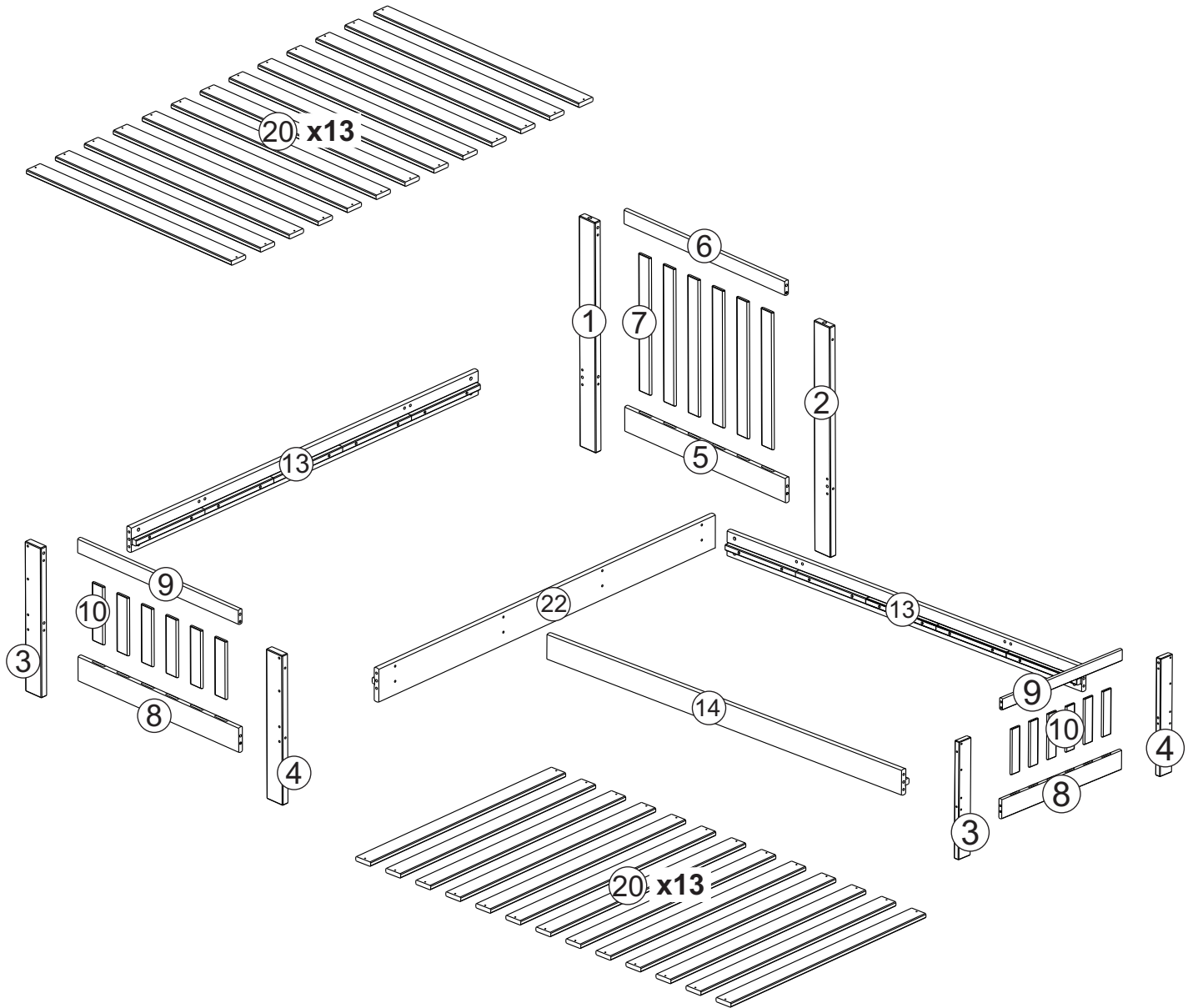


(Not included)



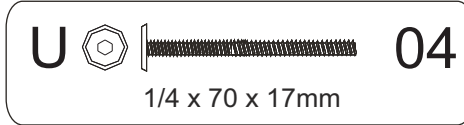
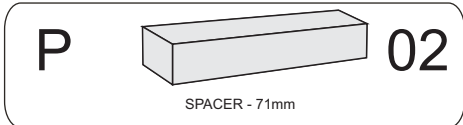
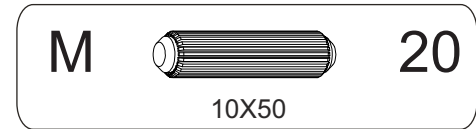
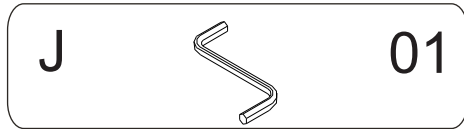
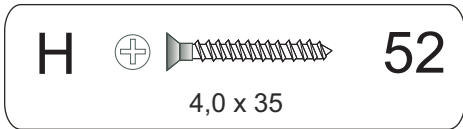
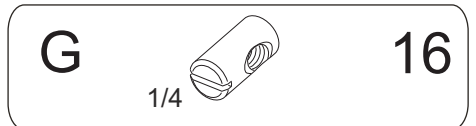
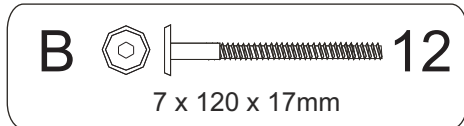
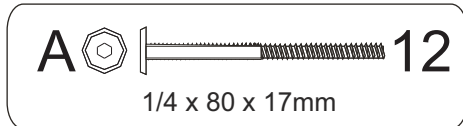
(Not included)

Part List - Twin Aurora Bed



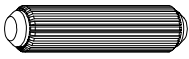
NOTE: You will have 1 extra set of parts 1, 2, 5, 6, 7, and 14 after completion of assembly.

Identifying the Hardware-Identify the hardware using the illustrations below.



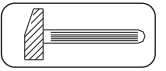
01

M

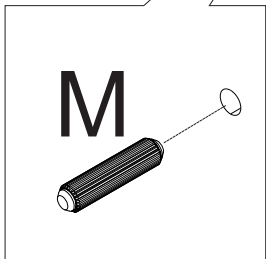
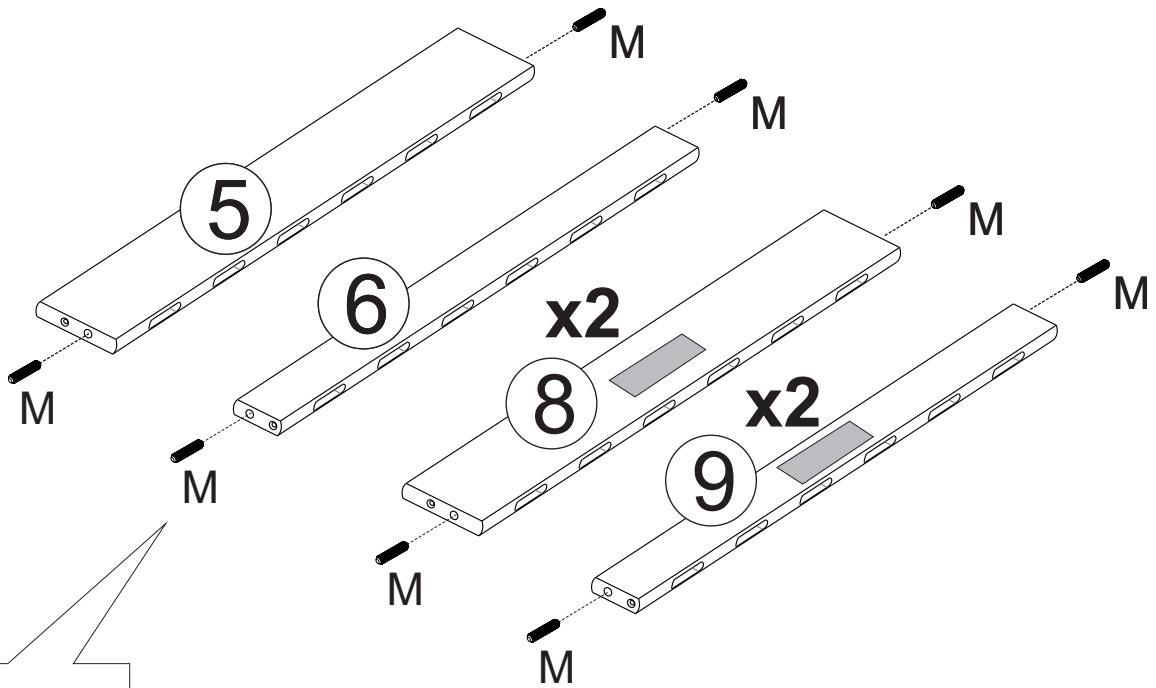
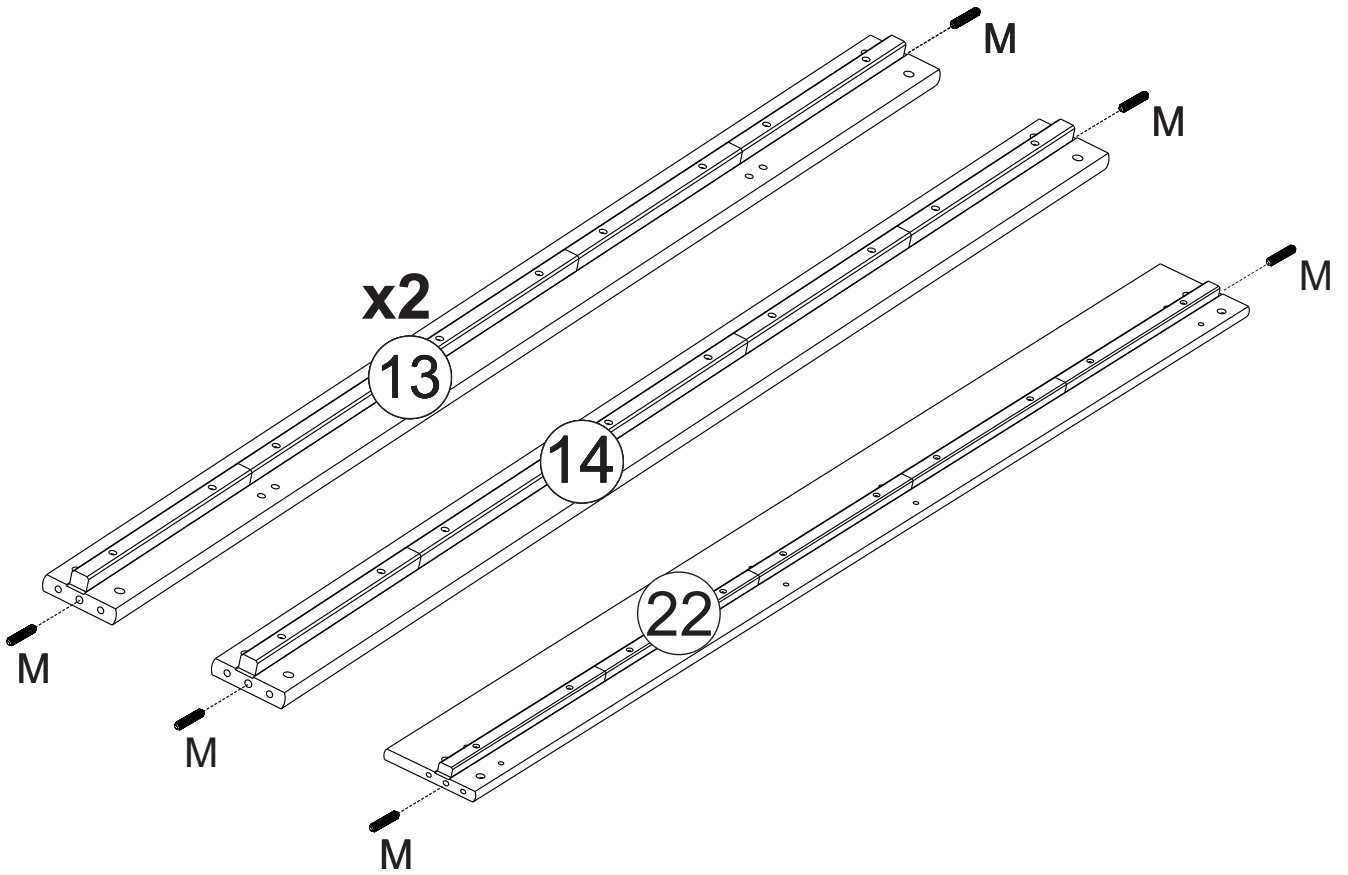


10X50

24

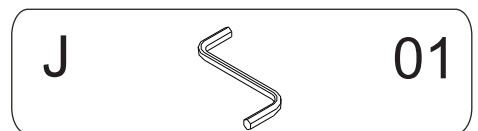
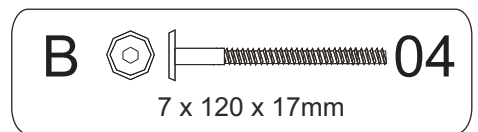
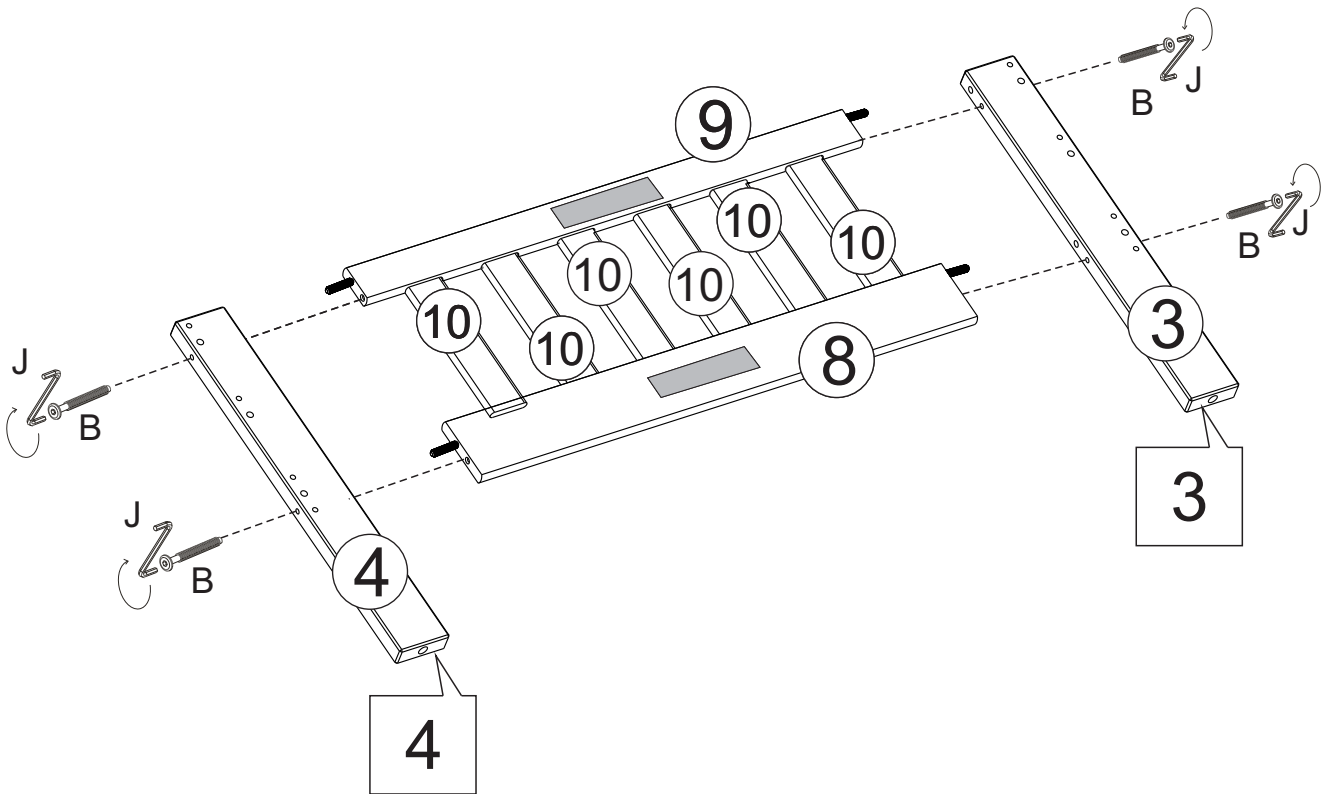
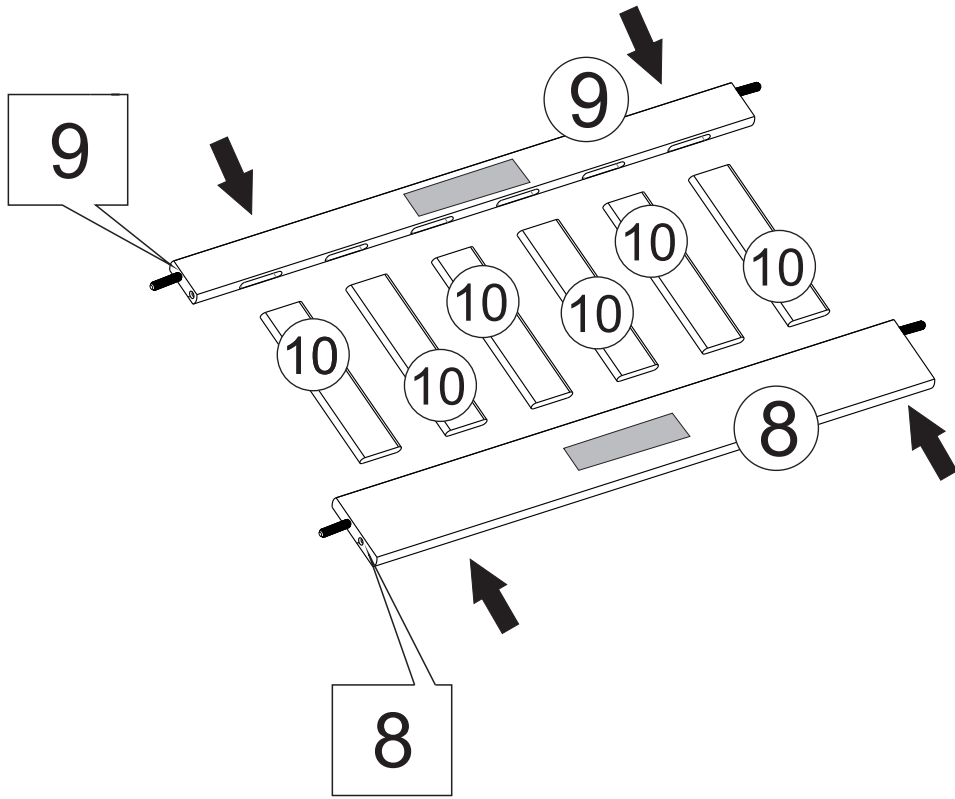


(Not included)

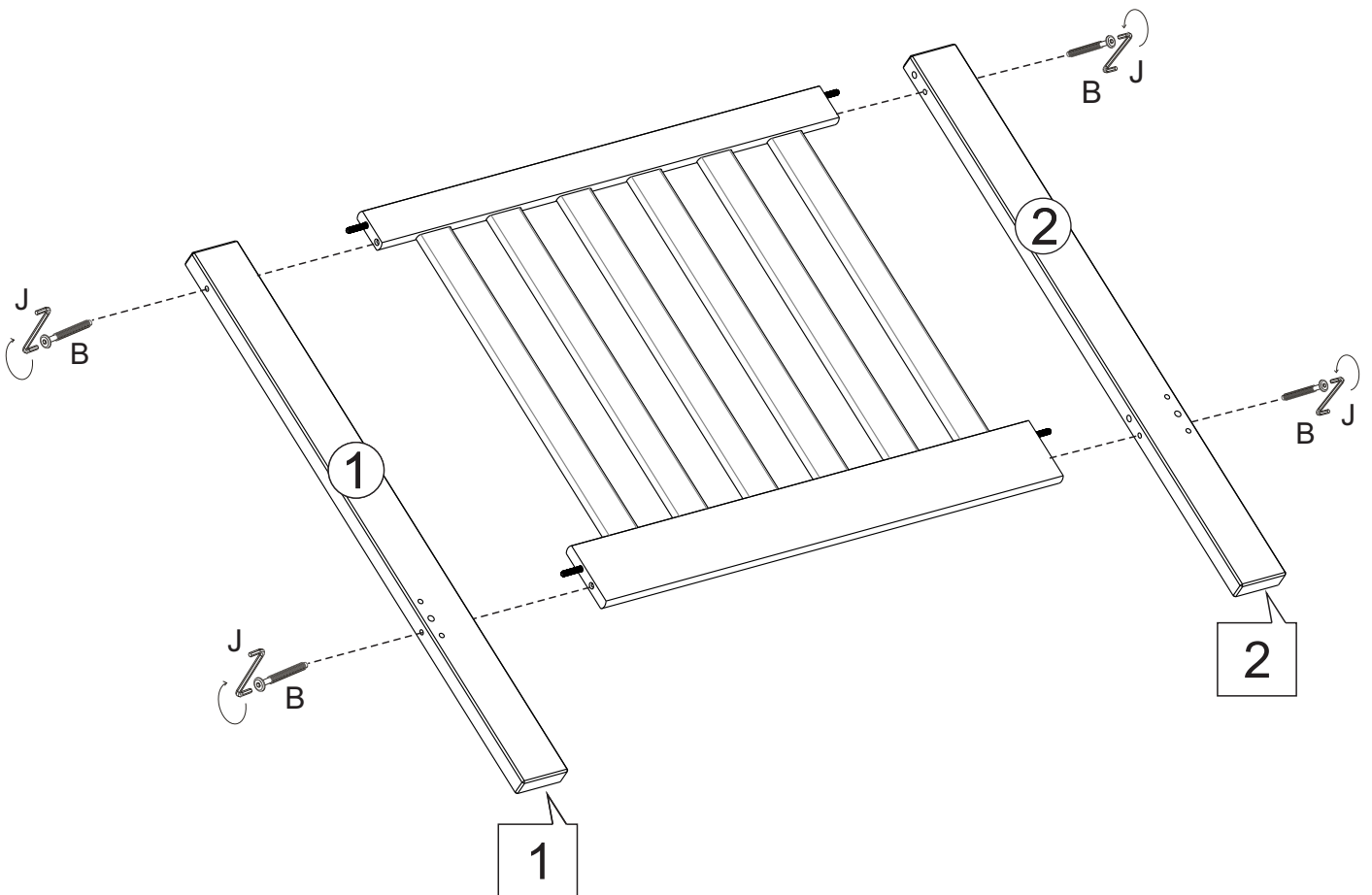
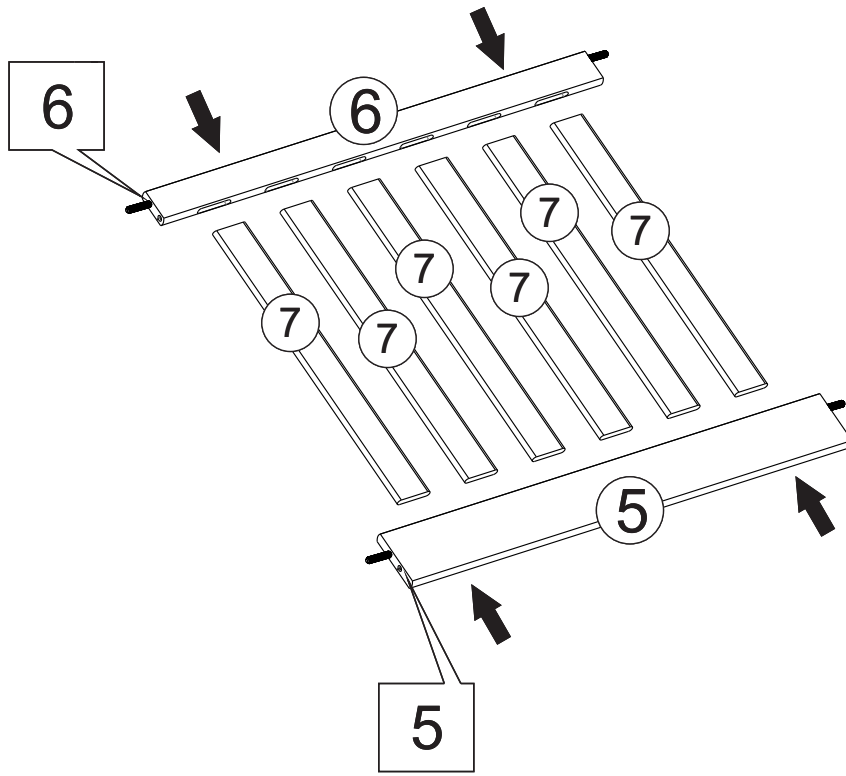


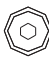

02

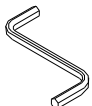
x2




03



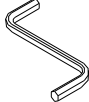
B   **04**
7 x 120 x 17mm

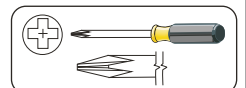
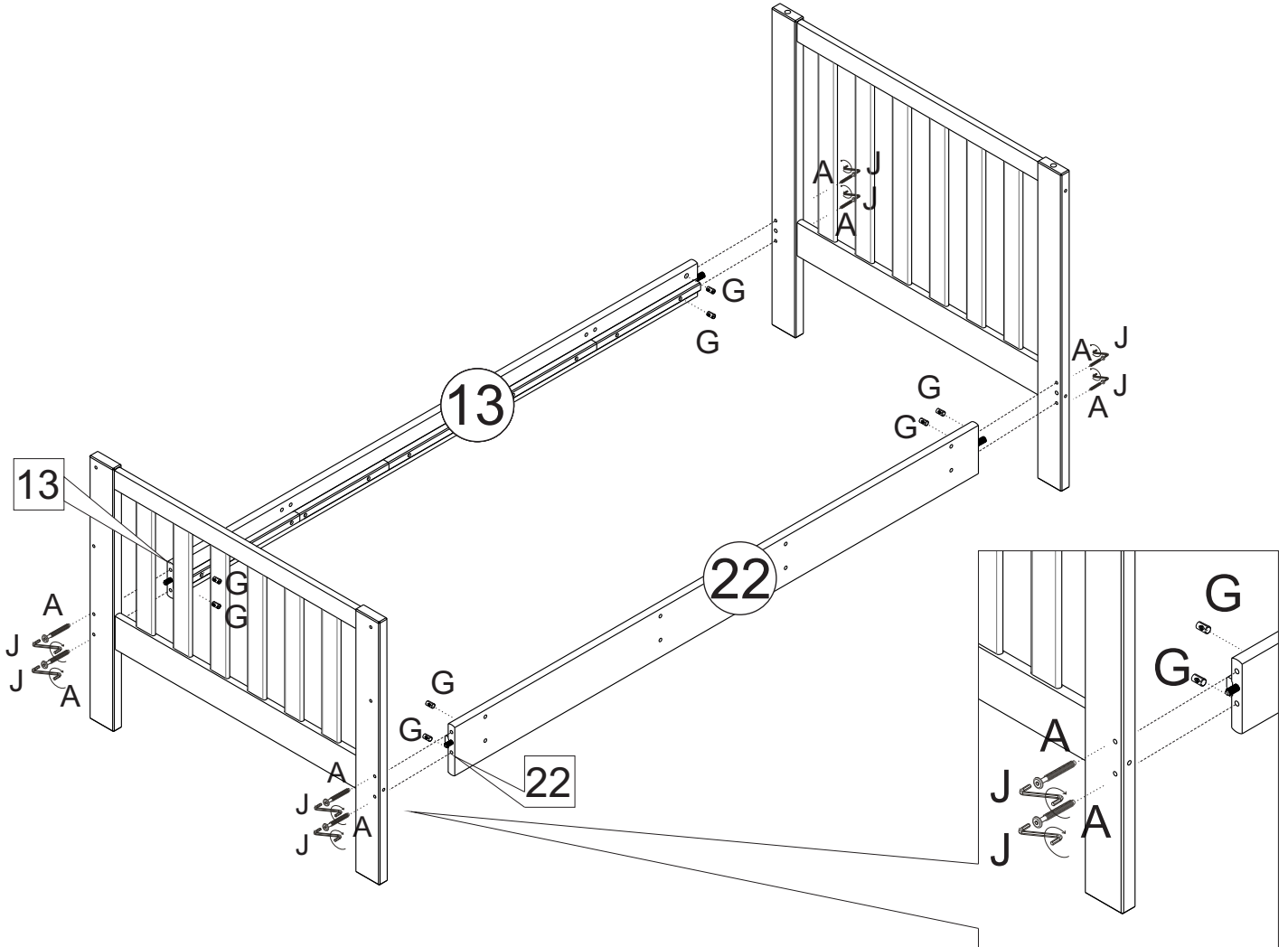
J  **01**

04


A  **08**
1/4 x 80 x 17mm

G  **08**
1/4

J  **01**





05

A  02
1/4 x 80 x 17mm

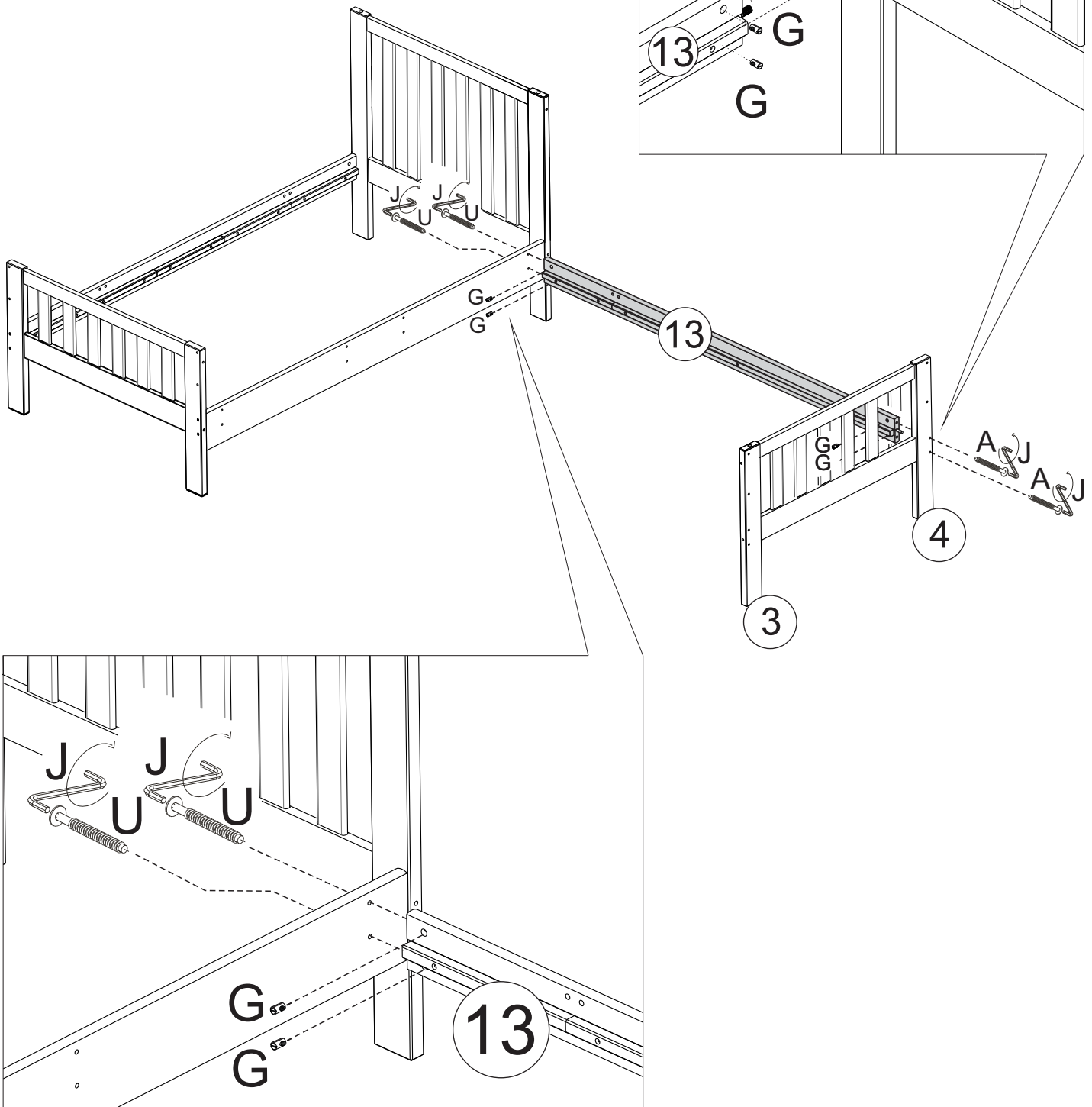
G  04
1/4

04


J  02
02

U  02
1/4 x 70 x 17mm



ATTENTION




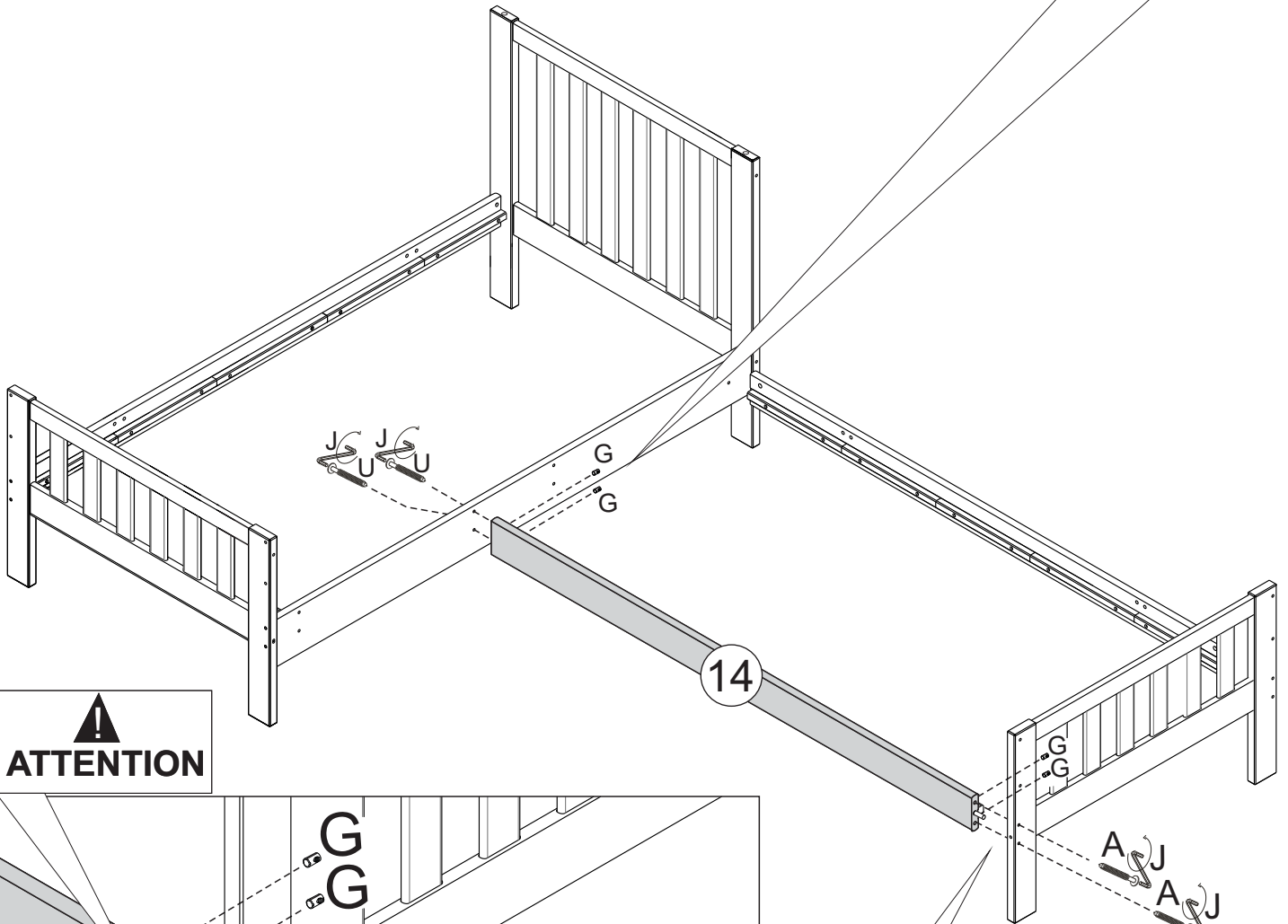
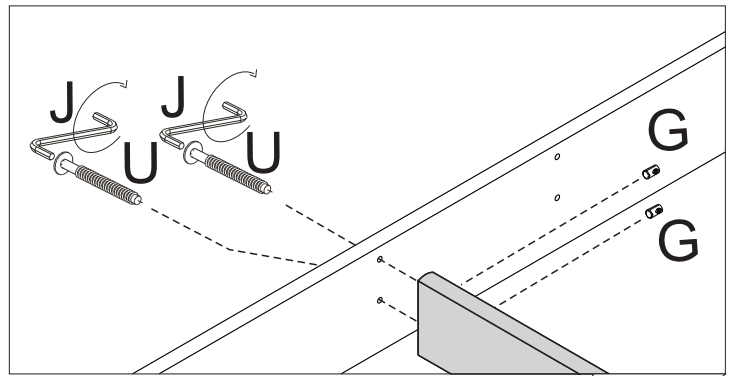
06

A  02
1/4 x 80 x 17mm

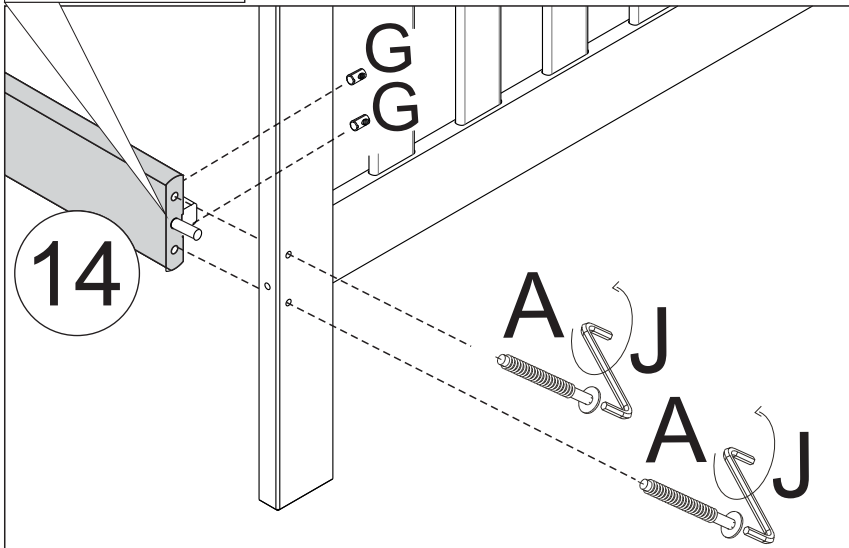
G  04
1/4

J  02

U  02
1/4 x 70 x 17mm

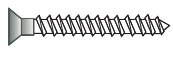



ATTENTION



07

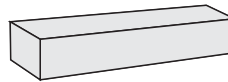
H



4,0 x 35

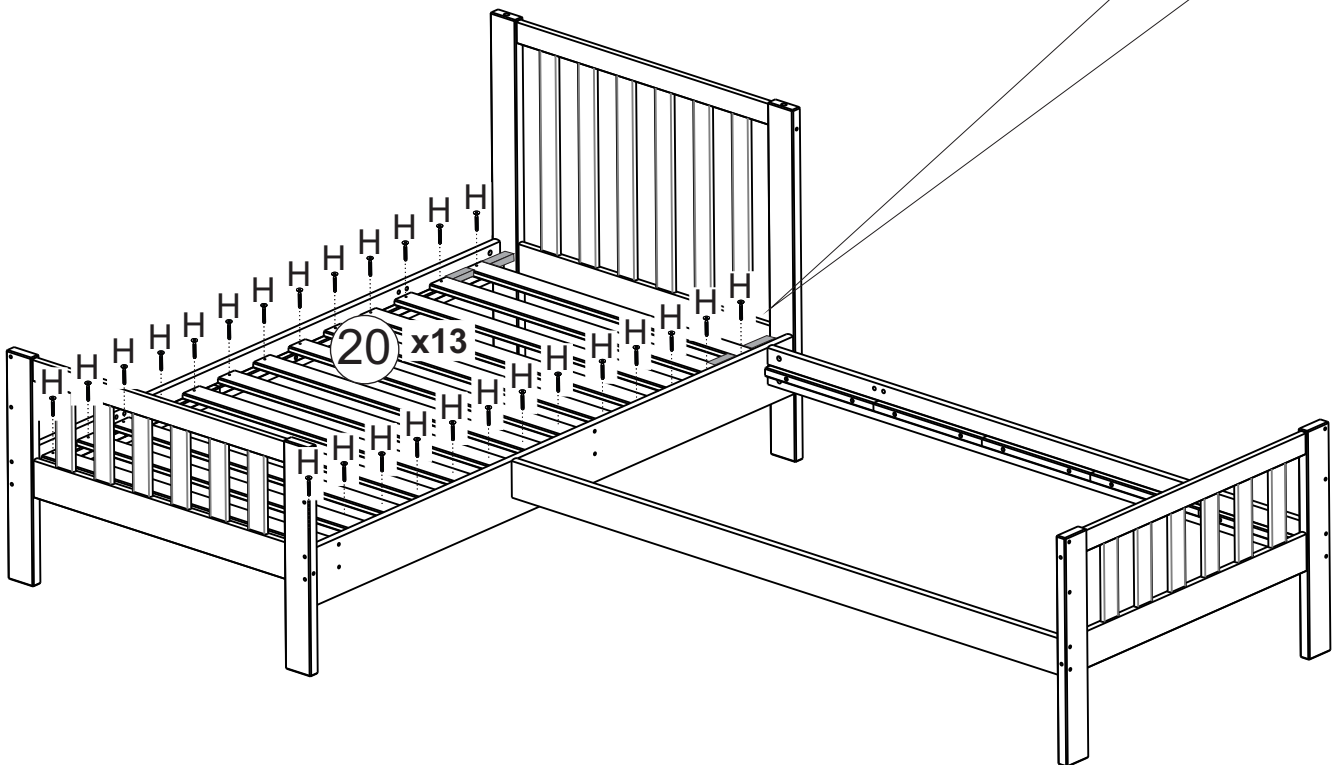
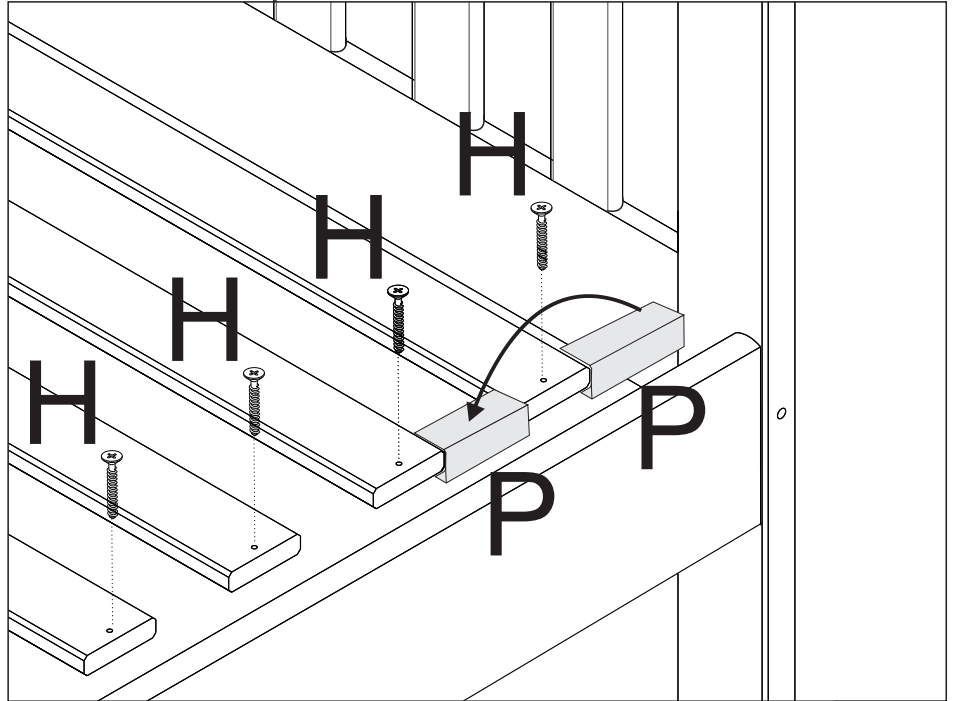
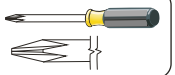
26

P



02

SPACER - 71mm



08

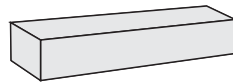
H



4,0 x 35

26

P



02

SPACER - 71mm

